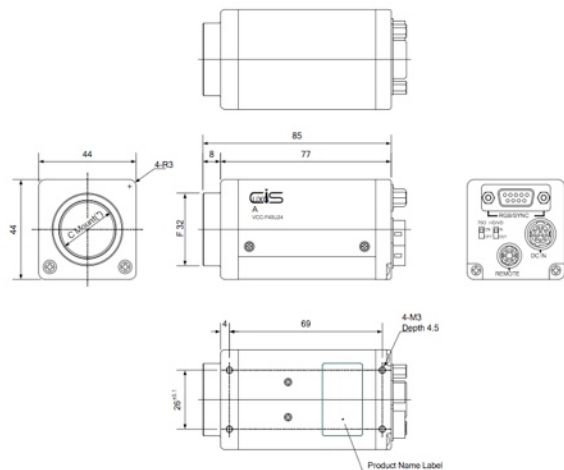


1/1.8" ANALOG  
Color Camera



UXGA ANALOG COLOR CAMERA



1) C Mount screws comply with ANSI/ASME B1.1, 1-32UN (2B).  
2) Screw length from C mount lens surface shall be under 6mm. And, protruding portion shall be less than 10mm.

Color  
RGB

ANALOG  
UXGA

EXT  
TRIGGER

PULSE  
TRIGGER

SPECIFICATIONS

RESOLUTION	UXGA
SENSOR TYPE	1/1.8" SONY ICX274AQ CCD
FRAME RATE	15fps
POWER CONSUMPTION	3.5W
INPUT VOLTAGE	DC+12V ±10% (Max 15V)
OPERATING CONDITIONS	0°C ~40°C @ 20~80% (no condensation)
WEIGHT	170g
LENS MOUNT	C MOUNT
VIDEO OUTPUT SIGNAL	VS Output 1Vp-p (negative sync)
NUMBER OF EFFECTIVE PIXELS	1628(H)×1236(V)
HORIZONTAL SCAN FREQUENCY	18.750kHz
PIXEL CLOCK	36MHz
PIXEL SIZE	4.4 x 4.4 (µm)
MINIMUM ILLUMINATION	F1.4 @ 15lx
SENSITIVITY	F8 @ 2000lx
STANDARD COLOR TEMPERATURE	2600~9000K
GAIN	0~12dB (guaranteed range)
ELECTRONIC SHUTTER	1/15 (Off) ~ 1/12000 sec.
SYNC. METHOD	Internal Sync. External Sync. HD/VD
EXTERNAL TRIGGER	Fixed Shutter Exposure/Pulse Width Exposure



701 Fifth Ave  
Suite 4620  
Seattle, WA 98104  
800-431-CISA  
www.cis-americas.com

