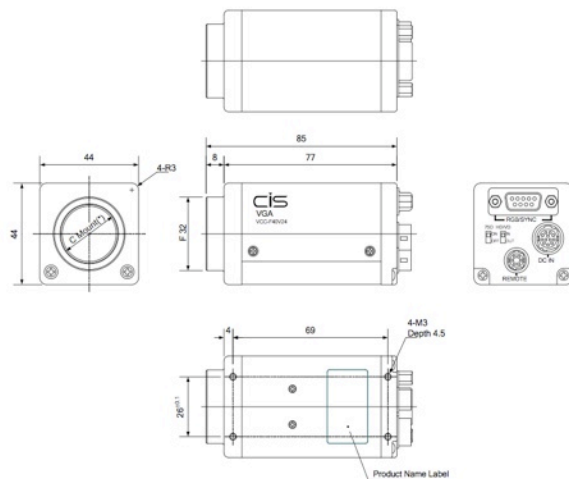




VGA ANALOG COLOR CAMERA



1) C Mount screws comply with ANSI/ASME B1.1.1-32UN (2B).

2) Screw length from C mount lens surface shall be under 6mm. And, protruding portion shall be less than 10mm.



SPECIFICATIONS

RESOLUTION	VGA
SENSOR TYPE	1/2" SONY ICX 414AQ CCD
FRAME RATE	60fps
POWER CONSUMPTION	2.5W
INPUT VOLTAGE	DC+12V ±10% (Max 15V)
OPERATING CONDITIONS	0°C ~40°C @ 20~80% (no condensation)
WEIGHT	170g
LENS MOUNT	C MOUNT
VIDEO OUTPUT SIGNAL	VS Output 1Vp-p (negative sync)
NUMBER OF EFFECTIVE PIXELS	659(H)×494(V)
HORIZONTAL SCAN FREQUENCY	31.468kHz
PIXEL CLOCK	24.5454MHz
PIXEL SIZE	9.9 x 9.9 (µm)
MINIMUM ILLUMINATION	F1.4 @ 18lx
SENSITIVITY	F5.6 @ 2000lx
STANDARD COLOR TEMPERATURE	2600-9000K
GAIN	0~12dB (guaranteed range)
ELECTRONIC SHUTTER	1/60 (Off) ~ 1/12000 sec.
SYNC. METHOD	Internal Sync. External Sync. HD/VD
EXTERNAL TRIGGER	Fixed Shutter Exposure/Pulse Width Exposure



701 Fifth Ave  
Suite 4620  
Seattle, WA 98104  
800-431-CISA  
www.cis-americas.com

