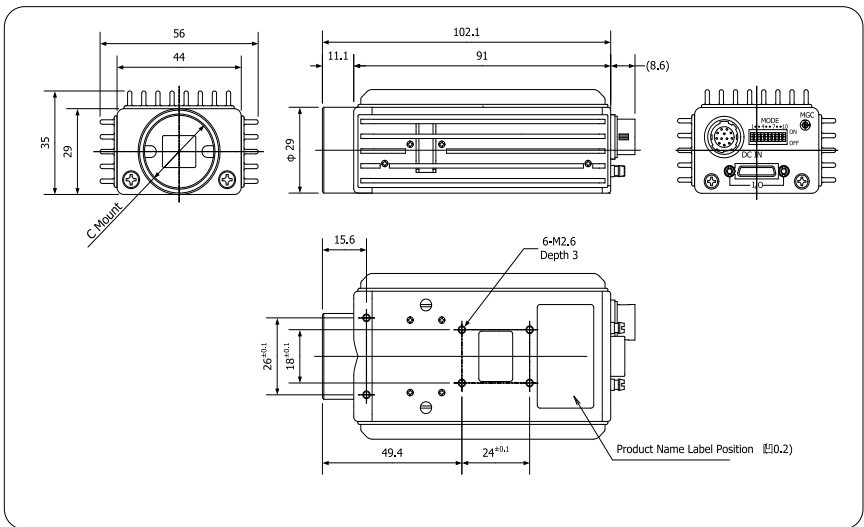




HIGH-SPEED AND HIGH-RESOLUTION IN A COMPACT VISION CAMERA



Never before has so much power been packed into such a small package. The 5 Megapixel FCC-F32FV19CL represents the ultimate in high-resolution color machine vision cameras. It's mini Camera Link interface is capable of delivering a stunning 24-bit RGB or 8/10-bit color imagery at 10 frames per

second- or roughly 6Gb of data per minute. The VISION: elite VCC-F32FV19CL can be used in a variety of applications that demand high-resolution color imagery at a speedy frame rate. It's 1/1.8" CCD sensor is sensitive down to 2000 lux at F16 with an electronic, internal or externally-controlled shutter.



SPECIFICATIONS

POWER CONSUMPTION	1W
INPUT VOLTAGE	DC+12V ±10% (Max 15V)
OPERATING CONDITIONS	0°C ~40°C @ 20~80% HUMIDITY
WEIGHT	80g
COMPATIBLE CAMERAS	VCC-F32/VCC-F22/VCC-G32/VCC-G22
EXTERNAL TRIGGER	Capture Board Camera Link Input 12-pin circular connector (11 pin) input Internal DIP Switch selectable Internal DIP Switch selectable
CAMERA LINK INPUT FORMAT	Capture Board: Mini Camera Link Connector Camera: Camera Link Connector
POCL SUPPORT	PoCL Compatible Capture Board 12-pin circular connector (2 pin) input
DIMENSIONS	54mm x 29mm x 71.5mm