

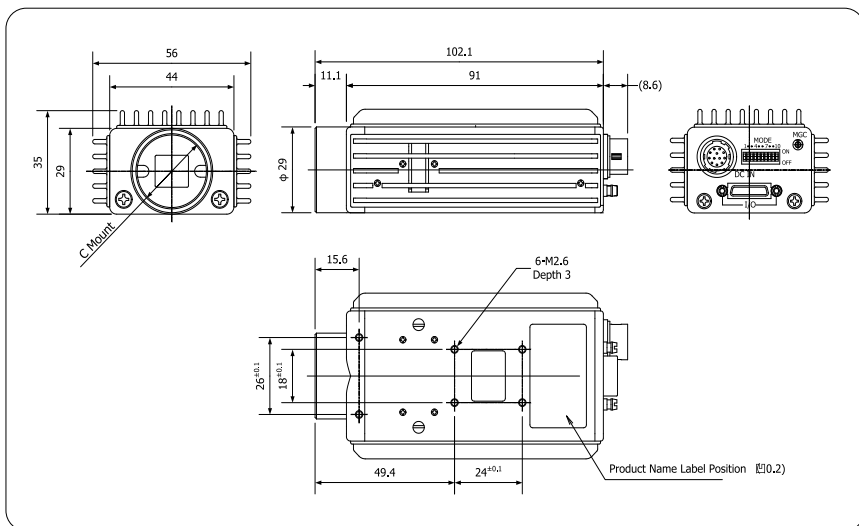
VISION:elite™

VCC-F32FV19CL

5MP COLOR
CAMERA LINK



HIGH-SPEED AND HIGH-RESOLUTION IN A COMPACT VISION CAMERA



SPECIFICATIONS	
RESOLUTION	5MP
SENSOR TYPE	2/3" SONY CCD
FRAME RATE	10, 11-19 @ FULL, PARTIAL
POWER CONSUMPTION	5.0W
INPUT VOLTAGE	DC+12V ±10% (Max 15V)
OPERATING CONDITIONS	0°C ~40°C @ 20~80% HUMIDITY
WEIGHT	215g
LENS MOUNT	C MOUNT
OPTICAL AXIS ACCURACY	Less than (Pixel Center) ±0.1mm
VIDEO OUTPUT SIGNAL	DIGITAL RGB 24bit/DIGITAL RAW (8/10-bit)
NUMBER OF EFFECTIVE PIXELS	2608 (H) x 1950 (V)
HORIZONTAL SCAN FREQUENCY	20.57KHz
PIXEL CLOCK	72MHz
PIXEL SIZE	3.4 x 3.4 (µm)
MINIMUM ILLUMINATION	F1.4 @ 12(1x)
SENSITIVITY	F8 @ 400lx
STANDARD COLOR TEMPERATURE	5600°K, 9000°K
GAIN SWITCHING	0dB, - +6dB, MANUAL (0dB - +12dB)
ELECTRONIC SHUTTER	OFF ~ 1/10000 se
SYNC. METHOD	Internal Sync
EXTERNAL TRIGGER	Fixed Shutter Exposure/Pulse Width Exposure
PARTIAL SCAN	Programmable
GAMMA COMPENSATION	DEFAULT OFF
CONTROL INTERFACE	CAMERA LINK/ RS232C (Optional)

CIS
AMERICAS

701 Fifth Ave
Suite 4620
Seattle, WA 98104
800-431-CISA
www.cis-americas.com

VCC-F32FV19CL