

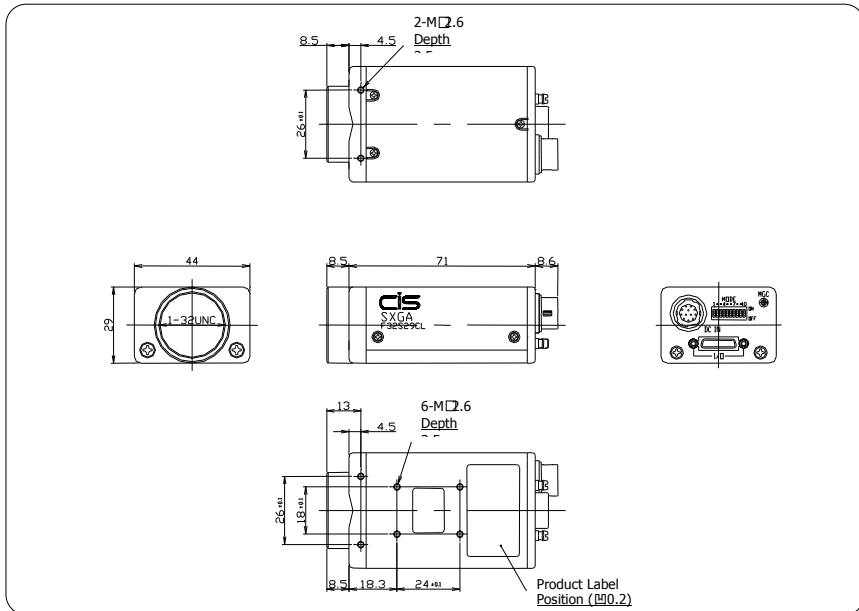
# VISION:elite™

## VCC-F32S29CL

1/2" SXGA COLOR  
CAMERA LINK



1/2" SXGA COLOR VISION CAMERA UP TO 38 FPS



- COLOR  
RGB
- PULSE  
TRIGGER
- MINI  
CL
- EXT  
TRIGGER
- COLOR  
RAW
- PARTIAL  
SCAN
- SLOW  
SHUTTER

SPECIFICATIONS	
RESOLUTION	SXGA
SENSOR TYPE	1/2" SONY 267AK CCD
FRAME RATE	38, 48-73 @ FULL, PARTIAL
POWER CONSUMPTION	3.5W
INPUT VOLTAGE	DC+12V ±10% (Max 15V)
OPERATING CONDITIONS	0°C ~40°C @ 20~80% HUMIDITY
WEIGHT	140g
LENS MOUNT	C MOUNT
OPTICAL AXIS ACCURACY	Less than (Pixel Center) ±0.1mm
VIDEO OUTPUT SIGNAL	DIGITAL RGB 24bit/DIGITAL RAW (8/10-bit)
NUMBER OF EFFECTIVE PIXELS	1392 (H) x 1040 (V)
HORIZONTAL SCAN FREQUENCY	40.22KHz
PIXEL CLOCK	72MHz
PIXEL SIZE	4.65 x 4.65 (µm)
MINIMUM ILLUMINATION	F1.4 @ 90lx
SENSITIVITY	F2.8 @ 2000lx
STANDARD COLOR TEMPERATURE	5600°K, 9000°K
GAIN SWITCHING	0dB, - +6dB, +12dB, MANUAL (0dB - +12dB)
ELECTRONIC SHUTTER	OFF ~ 1/10000 sec.
SYNC. METHOD	Internal Sync. External Sync. HD/VD
EXTERNAL TRIGGER	Fixed Shutter Exposure/Pulse Width Exposure
PARTIAL SCAN	PROGRAMMABLE
GAMMA COMPENSATION	DEFAULT OFF
CONTROL INTERFACE	CAMERA LINK/ RS232C (Optional)



701 Fifth Ave  
Suite 4620  
Seattle, WA 98104  
800-431-CISA  
www.cis-americas.com

## VCC-F32S29CL