

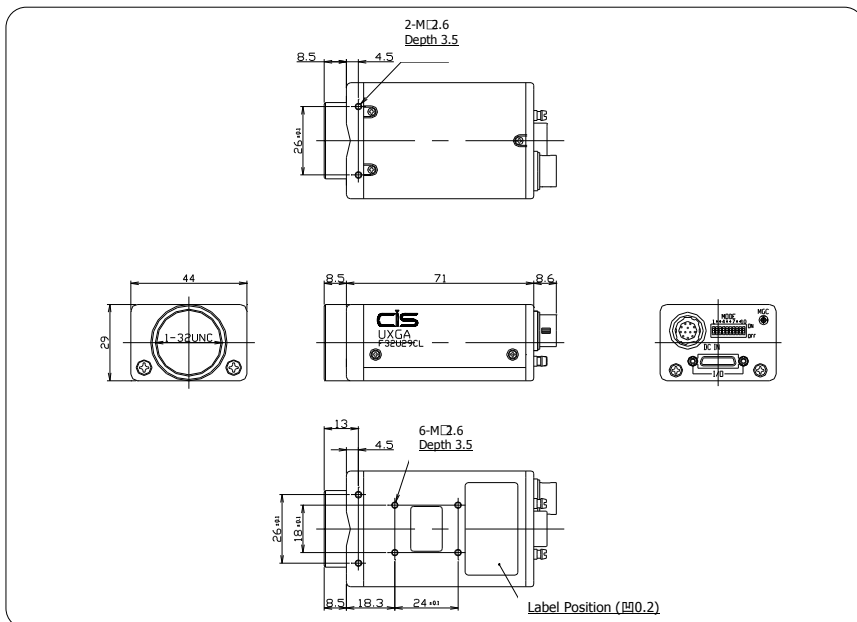
VISION:elite™

VCC-F32U29CL

UXGA COLOR
CAMERA LINK



PROGRESSIVE SCAN UXGA VISION CAMERA @ 30 FPS



COLOR RGB	PULSE TRIGGER	MINI CL	EXT TRIGGER	COLOR RAW	PARTIAL SCAN	SLOW SHUTTER
--------------	------------------	------------	----------------	--------------	-----------------	-----------------

SPECIFICATIONS	
RESOLUTION	UXGA
SENSOR TYPE	1/1.8" SONY 274AQ CCD
FRAME RATE	30, 41-74 @ FULL, PARTIAL
POWER CONSUMPTION	4.0W
INPUT VOLTAGE	DC+12V ±10% (Max 15V)
OPERATING CONDITIONS	0°C ~40°C @ 20~80% HUMIDITY
WEIGHT	140g
LENS MOUNT	C MOUNT
OPTICAL AXIS ACCURACY	Less than (Pixel Center) ±0.1mm
VIDEO OUTPUT SIGNAL	DIGITAL RGB 24bit/DIGITAL RAW (8/10-bit)
NUMBER OF EFFECTIVE PIXELS	1628 (H) x 1236 (V)
HORIZONTAL SCAN FREQUENCY	37.5KHz
PIXEL CLOCK	72MHz
PIXEL SIZE	4.4 x 4.4 (µm)
MINIMUM ILLUMINATION	F1.4 @ 40lx
SENSITIVITY	F5.6 @ 2000lx
STANDARD COLOR TEMPERATURE	5600°K, 9000°K
GAIN SWITCHING	0dB, - +6dB, +12dB, MANUAL (0dB - +12dB)
ELECTRONIC SHUTTER	OFF ~ 1/10000 sec.
SYNC. METHOD	Internal Sync. External Sync. HD/VD
EXTERNAL TRIGGER	Fixed Shutter Exposure/Pulse Width Exposure
PARTIAL SCAN	PROGRAMMABLE
GAMMA COMPENSATION	DEFAULT OFF
CONTROL INTERFACE	CAMERA LINK/ RS232C (Optional)



701 Fifth Ave
Suite 4620
Seattle, WA 98104
800-431-CISA
www.cis-americas.com

VCC-F32U29CL