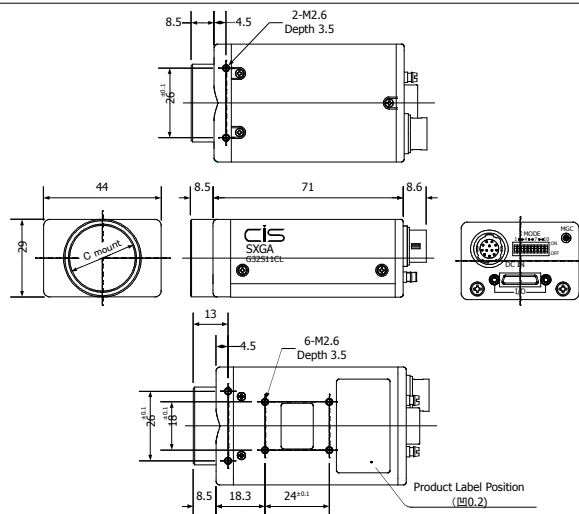


2/3" SXGA B&W
CAMERA LINK



MONOCHROME 2/3" CCD VISION CAMERA AT 34 FPS



SPECIFICATIONS	
RESOLUTION	SXGA
SENSOR TYPE	2/3" SONY ICX285AL CCD
FRAME RATE	34, 43-66 @ FULL, PARTIAL
POWER CONSUMPTION	3.7W
INPUT VOLTAGE	DC+12V ±10% (Max 15V)
OPERATING CONDITIONS	0°C ~40°C @ 20~80% HUMIDITY
WEIGHT	140g
LENS MOUNT	C MOUNT
OPTICAL AXIS ACCURACY	Less than (Pixel Center) ±0.1mm
VIDEO OUTPUT SIGNAL	Digital 8bit/10bit (switchable)
NUMBER OF EFFECTIVE PIXELS	1392 (H) x 1040 (V)
HORIZONTAL SCAN FREQUENCY	36KHz
PIXEL CLOCK	72MHz
PIXEL SIZE	6.45 x 6.45 (µm)
MINIMUM ILLUMINATION	F1.4 @ 0.5(lx)
SENSITIVITY	F11 @ 400lx
STANDARD COLOR TEMPERATURE	5600°K 9000°K
GAIN SWITCHING	0dB, +6dB, +12dB, MANUAL (0dB - 12dB)
ELECTRONIC SHUTTER	OFF ~ 1/10000th/se
SYNC. METHOD	Internal Sync, External Sync, HD/VD
EXTERNAL TRIGGER	Fixed Shutter Exposure/Pulse Width Exposure
PARTIAL SCAN	Programmable Position/Width/Read Position/Number of Lines
GAMMA COMPENSATION	DEFAULT OFF
CONTROL INTERFACE	CAMERA LINK/ RS232C (Optional)



701 Fifth Ave
Suite 4620
Seattle, WA 98104
800-431-CISA
www.cis-americas.com

