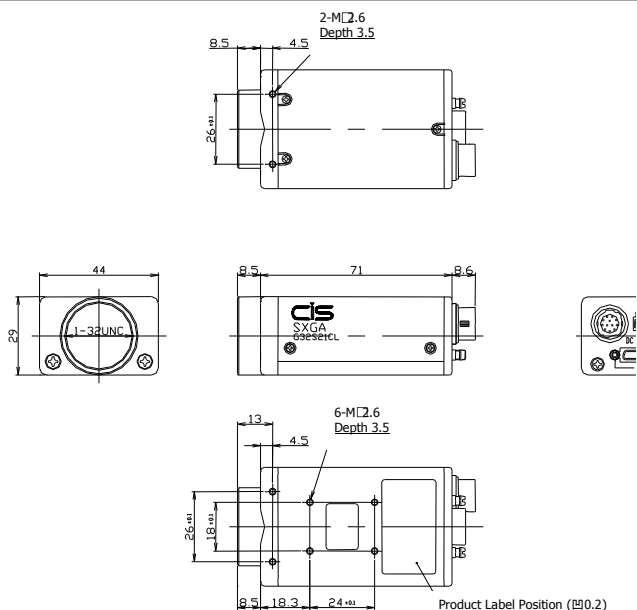


1/2" SXGA
MONOCHROME
CAMERA LINK



1/2" MONOCHROME CCD VISION CAMERA AT 38 FPS



SPECIFICATIONS

RESOLUTION	SXGA
SENSOR TYPE	1/2" SONY ICX267AL CCD
FRAME RATE	38, 48-73 @ FULL, PARTIAL
POWER CONSUMPTION	3.5W
INPUT VOLTAGE	DC+12V ±10% (Max 15V)
OPERATING CONDITIONS	0°C ~40°C @ 20~80% HUMIDITY
WEIGHT	140g
LENS MOUNT	C MOUNT
OPTICAL AXIS ACCURACY	Less than (Pixel Center) ±0.1mm
VIDEO OUTPUT SIGNAL	Digital 8bit/10bit (switchable)
NUMBER OF EFFECTIVE PIXELS	1392 (H) x 1040 (V)
HORIZONTAL SCAN FREQUENCY	40.22KHz
PIXEL CLOCK	72MHz
PIXEL SIZE	4.65 x 4.65 (µm)
MINIMUM ILLUMINATION	F1.4 @ 5(lx)
SENSITIVITY	F2.8 @ 400lx
STANDARD COLOR TEMPERATURE	5600°K, 9000°K
GAIN SWITCHING	0dB, - +6dB, +12dB, MANUAL (0dB - +12dB)
ELECTRONIC SHUTTER	OFF ~ 1/10000 sec.
SYNC. METHOD	Internal Sync. External Sync. HD/VD
EXTERNAL TRIGGER	Fixed Shutter Exposure/Pulse Width Exposure
PARTIAL SCAN	PROGRAMMABLE
GAMMA COMPENSATION	DEFAULT OFF
CONTROL INTERFACE	CAMERA LINK/ RS232C (Optional)