

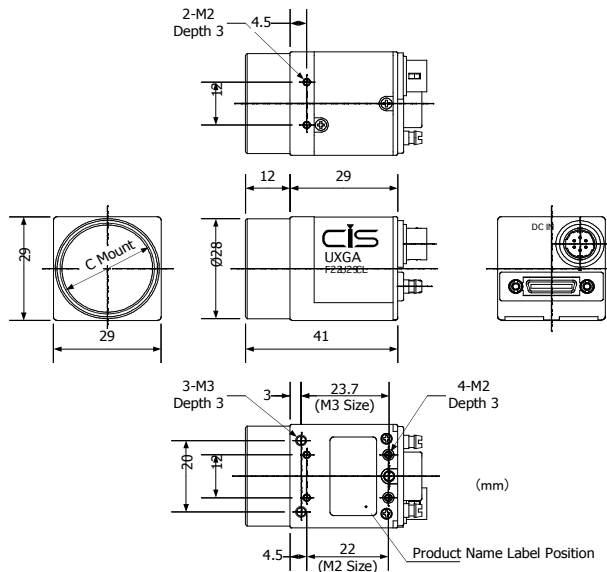
# VISION:mini™

## VCC-F22U29CL

1/1.8" UXGA COLOR  
CAMERA LINK



1/1.8" UXGA CCD COLOR VISION CAMERA AT 20 FPS



29mm <sup>2</sup>	COLOR RAW	MINI CL	EXT TRIGGER	PULSE TRIGGER	PARTIAL SCAN
-------------------	--------------	------------	----------------	------------------	-----------------

### SPECIFICATIONS

<b>RESOLUTION</b>	UXGA
<b>SENSOR TYPE</b>	1/1.8" SONY ICX 274AQ CCD
<b>FRAME RATE</b>	20 FPS
<b>POWER CONSUMPTION</b>	2.7W
<b>INPUT VOLTAGE</b>	DC+12V ±10% (Max 15V)
<b>OPERATING CONDITIONS</b>	0°C ~40°C @ 20~80% HUMIDITY
<b>WEIGHT</b>	APPROXIMATELY 50g
<b>LENS MOUNT</b>	C MOUNT
<b>OPTICAL AXIS ACCURACY</b>	Less than (Pixel Center) ±0.6mm
<b>VIDEO OUTPUT SIGNAL</b>	Digital 8/10bit (switchable)
<b>NUMBER OF EFFECTIVE PIXELS</b>	1628(H)×1236(V)
<b>HORIZONTAL SCAN FREQUENCY</b>	25.568KHz
<b>PIXEL CLOCK</b>	49.090 MHz
<b>PIXEL SIZE</b>	4.4×4.4(μm)
<b>MINIMUM ILLUMINATION</b>	F1.4 20lx
<b>SENSITIVITY</b>	F8.0 2000lx
<b>STANDARD COLOR TEMPERATURE</b>	3200°K
<b>GAIN</b>	0dB, +6dB, MANUAL (-1dB - +12dB)
<b>ELECTRONIC SHUTTER</b>	OFF-1/18000sec.
<b>SYNC. METHOD</b>	-
<b>EXTERNAL TRIGGER</b>	Fixed Shutter Exposure/Pulse Width Exposure
<b>PARTIAL SCAN</b>	N/A
<b>GAMMA COMPENSATION</b>	DEFAULT OFF (OPTIONAL 0.45)
<b>CONTROL INTERFACE</b>	CAMERA LINK/RS232C

**CIS**  
AMERICAS

701 Fifth Ave  
Suite 4620  
Seattle, WA 98104  
800-431-CISA  
www.cis-americas.com

## VCC-F22U29CL