

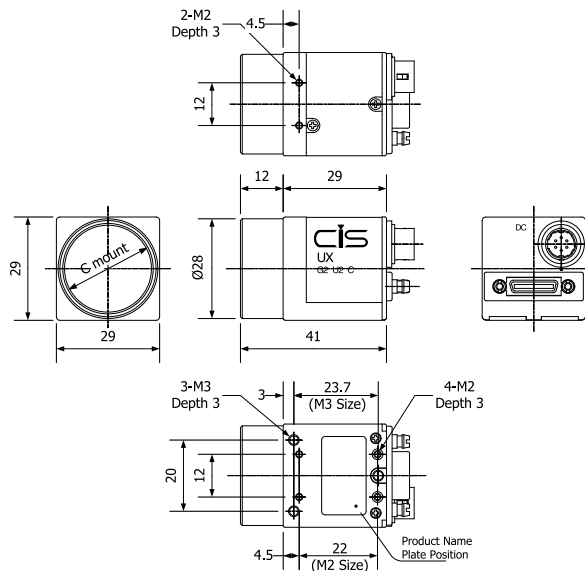
VISION:mini™

VCC-G22U21CL

1/1.8" UXGA
MONOCHROME
CAMERA LINK



1/1.8" MONOCHROME CCD VISION CAMERA AT 20 FPS



29mm ²	B&W	MINI CL	EXT TRIGGER	PULSE TRIGGER	PARTIAL SCAN
-------------------	-----	------------	----------------	------------------	-----------------

SPECIFICATIONS

RESOLUTION	UXGA
SENSOR TYPE	1/1.8" SONY ICX 274AL CCD
FRAME RATE	20 FPS
POWER CONSUMPTION	2.7W
INPUT VOLTAGE	DC+12V ±10% (Max 15V)
OPERATING CONDITIONS	0°C ~40°C @ 20~80% HUMIDITY
WEIGHT	APPROXIMATELY 50g
LENS MOUNT	C MOUNT
OPTICAL AXIS ACCURACY	Less than (Pixel Center) ±0.6mm
VIDEO OUTPUT SIGNAL	Digital 8/10bit (switchable)
NUMBER OF EFFECTIVE PIXELS	1628 (H) x 1236 (V)
HORIZONTAL SCAN FREQUENCY	25.568 KHz
PIXEL CLOCK	49.090 MHz
PIXEL SIZE	4.4 x 4.4 (µm)
MINIMUM ILLUMINATION	F1.4 @ 1.0(lx)
SENSITIVITY	F5.6 @ 400lx
STANDARD COLOR TEMPERATURE	3200°K
GAIN	0dB, +6dB, Manual (-1dB - +12dB)
ELECTRONIC SHUTTER	OFF ~ 1/18000 sec.
SYNC. METHOD	Internal Sync. External Sync. HD/VD
EXTERNAL TRIGGER	Fixed Shutter Exposure/Pulse Width Exposure
PARTIAL SCAN	N/A
GAMMA COMPENSATION	DEFAULT OFF (OPTIONAL 0.45)
CONTROL INTERFACE	CAMERA LINK/RS232C

CIS
AMERICAS

701 Fifth Ave
Suite 4620
Seattle, WA 98104
800-431-CISA
www.cis-americas.com

VCC-G22U21CL