

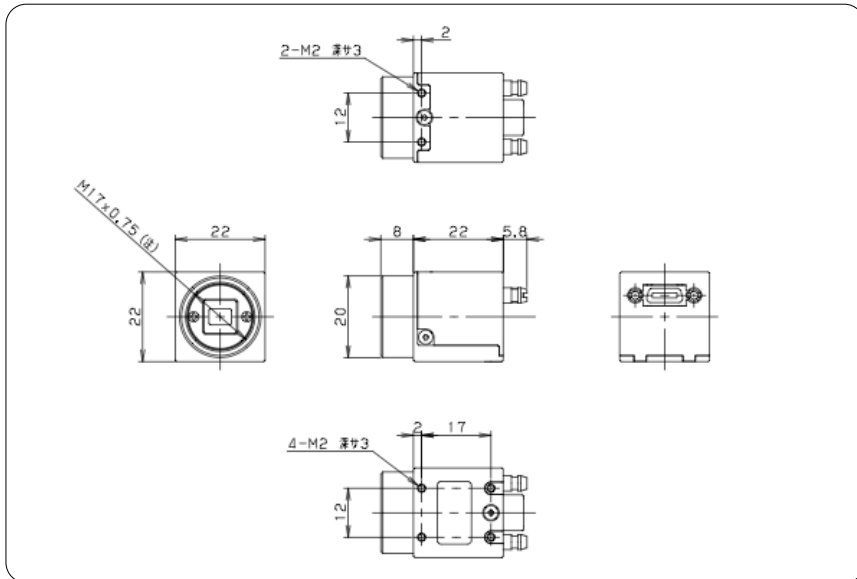
# VISION:mini™

## VCC-GC10V31L

1/3" VGA B/W CMOS  
PoCL-Lite



22 CUBE VGA CMOS VISION POCL-LITE CAMERA AT 60 FPS



22mm<sup>3</sup>

B/W

PoCL-Lite

EXT TRIGGER

Partial Scan

SPECIFICATIONS	
RESOLUTION	VGA
SENSOR TYPE	1/3" CMOS
FRAME RATE	60 FPS
POWER CONSUMPTION	1W Max
INPUT VOLTAGE	DC+12V ±10%
OPERATING CONDITIONS	0°C ~40°C @ 20~80% HUMIDITY
WEIGHT	APPROXIMATELY 19g
LENS MOUNT	NF Mount
VIDEO OUTPUT SIGNAL	B/W 8/10bit (switchable)
NUMBER OF EFFECTIVE PIXELS	640(H) x 480(V)
HORIZONTAL SCAN FREQUENCY	31.468KHz
PIXEL CLOCK	24.5 MHz
PIXEL SIZE	(µm)
MINIMUM ILLUMINATION	F1.4 1lx
SENSITIVITY	F5.6 400lx
GAIN	Fixed OFF (1.0)
ELECTRONIC SHUTTER	OFF(1/60s)~1/30000sec.
EXTERNAL TRIGGER	Fixed Shutter Exposure/Pulse Width Exposure
GAMMA COMPENSATION	DEFAULT OFF (OPTIONAL 0.45)
CONTROL INTERFACE	PoCL-Lite



12121 Northup Way  
Suite 105  
Bellevue, WA 98005  
800-431-CISA  
www.cis-americas.com

## VCC-GC10V31L